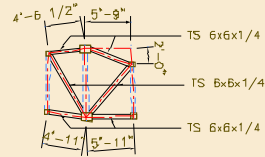
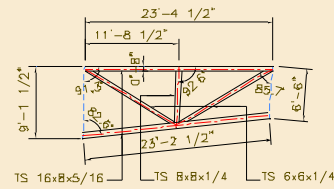


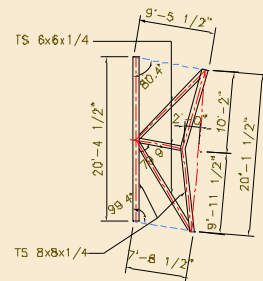
BRACE FRAME PLAN A
SCALE: 1/8" = 1'-0"



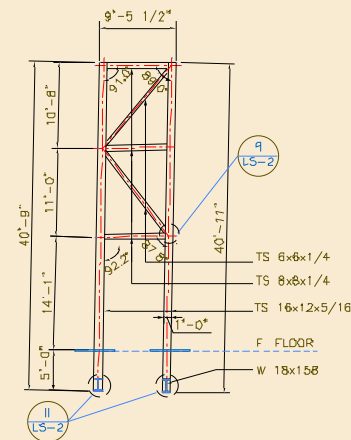
BRACE FRAME PLAN B
SCALE: 1/8" = 1'-0"



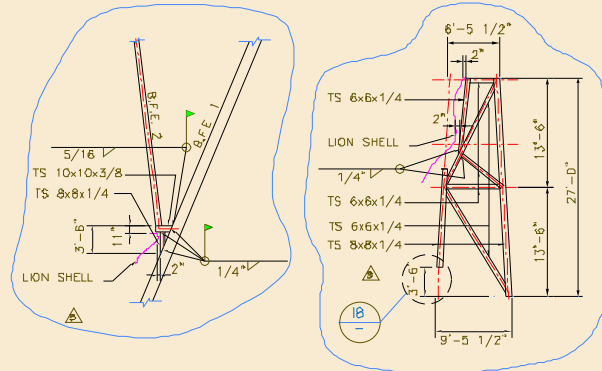
BRACE FRAME PLAN C
SCALE: 1/8" = 1'-0"



BRACE FRAME ELEVATION 3
SCALE: 1/8" = 1'-0"

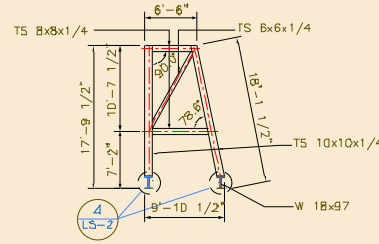


BRACE FRAME ELEVATION 1
SCALE: 1/8" = 1'-0"

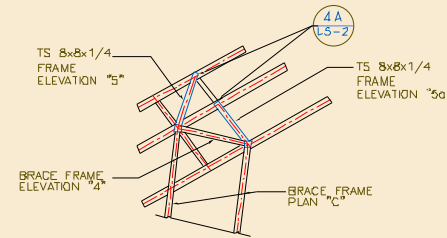


DETAIL "18"
SCALE: 1/8" = 1'-0"

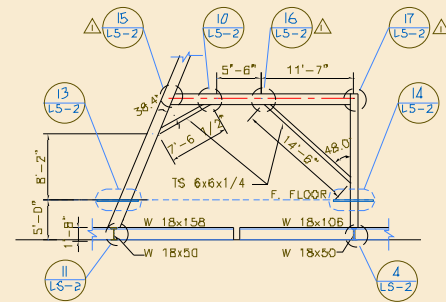
BRACE FRAME ELEVATION 2
SCALE: 1/8" = 1'-0"



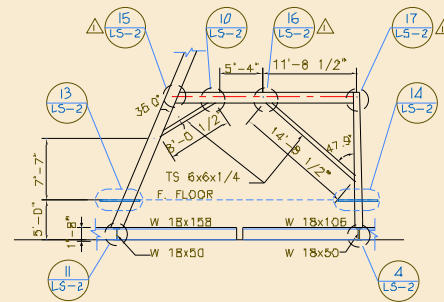
BRACE FRAME ELEVATION 4
SCALE: 1/8" = 1'-0"



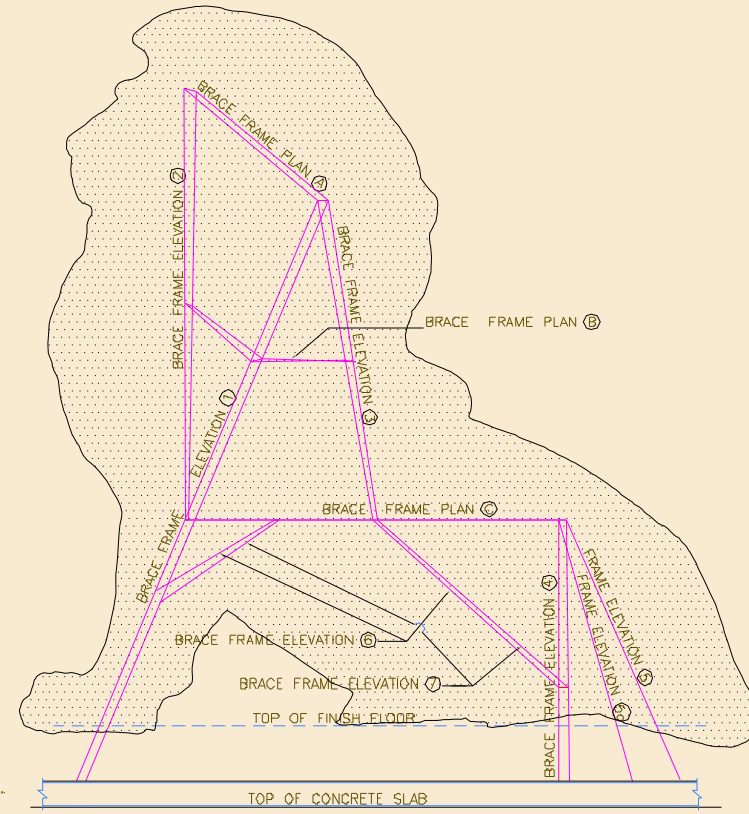
FRAME PLAN 5
SCALE: 1/8" = 1'-0"



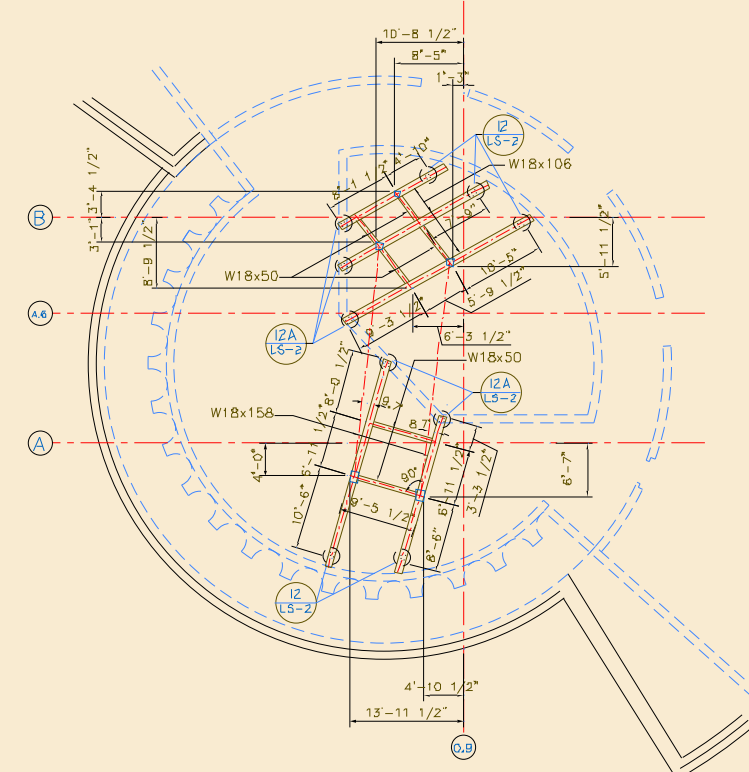
BRACE FRAME ELEVATION 6
SCALE: 1/8" = 1'-0"



BRACE FRAME ELEVATION 7
SCALE: 1/8" = 1'-0"



KEY ELEVATION
SCALE: 1/8" = 1'-0"



BASE FRAMING PLAN
SCALE: 1/8" = 1'-0"

Job No.:	1150
Date:	10-10-11
Drawn:	YAR, H.
Revised:	11-24-11 D.K.
Revised:	01-10-12 V.P.
Revised:	02-02-12 V.H.

Approved: BE

STEEL FRAME FOR SUPPORT OF LION
LION ENTRY SHOW ELEMENTS
PREPARED FOR LECTER CREATIVE

LS-1